

PKV3500 Modbus to DH-485

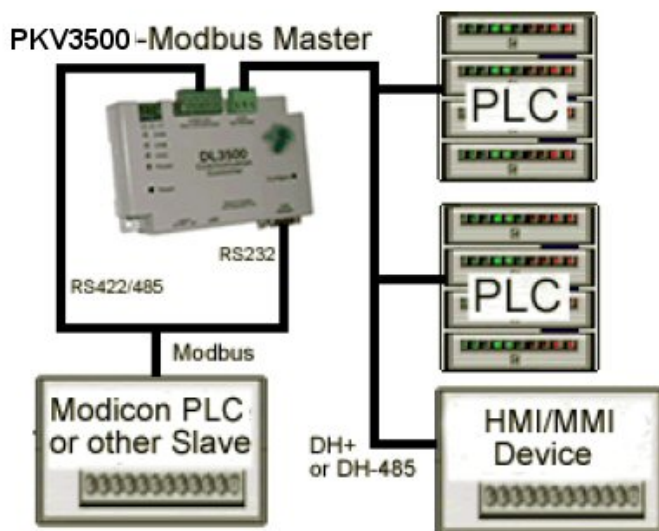
Part No:

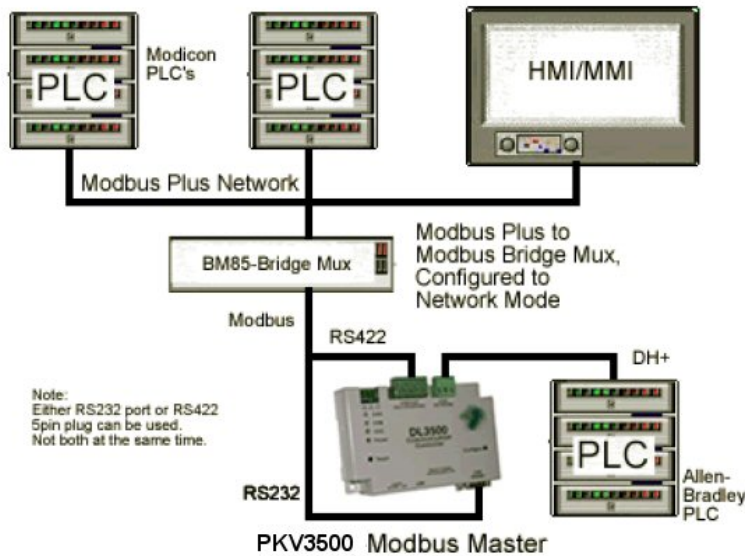
MPGC-MB-GW-PKV3500-DH-485



Description: The **PKV3500-MB-DH-485** is a Modbus master/slave interface for computers, MMIs, and OEM based applications that require access to a node on AB's DH485 network. Highlights include palm-size portability, DC power, external Din Rail cabinet with Modbus USB or serial functionality to DH-485. The Modbus/DH-485 can be set to be either a Master or a Slave on the Modbus serial link, as well as communicate using either RTU or ASCII protocols. The Modbus/DH485 in Master Mode can read from and write to registers and coils in any Modbus Slave device connected. Slave Mode allows a Modbus Master device to read from or write to files in a A-B PLC or SLC connected to the DH485 network.

DL3500-Modbus





Serial Interfacing:

CHA - Isolated DH-485

CHB - Serial 300 b to 230.4 Kb or USB Interface

Specifications:

Physical

Dimensions Size: 1.2"H x 4.75"D x 3.2"W (30.4 mm x 120.7 mm x 81.3 mm), Weight: 0.56lbs (0.194 kg) Power: DC: 9-27 VDC; Less than 2 Watts.

Installation

Metal enclosure; Freestanding, DIN rail mounting clips, or #8 bolts.

Environment

Operating: +32 F to 122 F (0 C to +50 C), Storage: -40 F to +185 F (-40 C to +85 C), Humidity: 5% to 95% non-condensing.

Indicators

Green LED for power-on Red/Green BI-Color LED's for communications.

Pushbuttons

Reset and Configure/Diagnostics mode pushbuttons.

Communications

Channel A: Isolated DH-485, Channel B: Serial 300 b to 230.4 Kb or USB.

Connectors

CHA: 3-pin DH-485, CHB: 9-pin RS232, 5-pin RS422/RS485, and USB, Power: 3-pin Miniature Phoenix Euro.



標高電子股份有限公司
Microport Computer Electronics Inc.
Tel/06-2753783 Fax/06-2375031
<http://www.microporttaiwan.com>